

LTD8304M-ET/ LTD8308M-ETC

TURBO ACUSENSE DVR

Key Feature

- Deep learning-based motion detection 2.0 for all analog channels
- Deep learning-based perimeter protection
- H.265 Pro+/H.265 Pro/H.265/H.264+/H.264 video compression
- HDTV/AVD/CVI/CVBS/IP video inputs
- Audio via coaxial cable
- Up to 6/12-ch IP camera inputs (up to 6 MP)
- Up to 10 TB capacity per HDD



Compression and Recording

- H.265 Pro+ video compression improves encoding efficiency, and reduces data storage costs
- Full channel recording at up to 1080p resolution

Storage and Playback

- Smart search for efficient playback
- Support the third party cloud storage (Dropbox/Google Drive/Microsoft OneDrive)

Smart Function

- Deep learning-based motion detection, perimeter protection (line crossing and intrusion detection), or facial detection
- Support multiple VCA (Video Content Analytics) events for both analog and smart IP cameras

Network & Ethernet Access

- Compatible with major Wi-Fi dongle products in the market
- LTS-Connect & DDNS (Dynamic Domain Name System) for easy network management
- Output bandwidth limit configurable

Specification

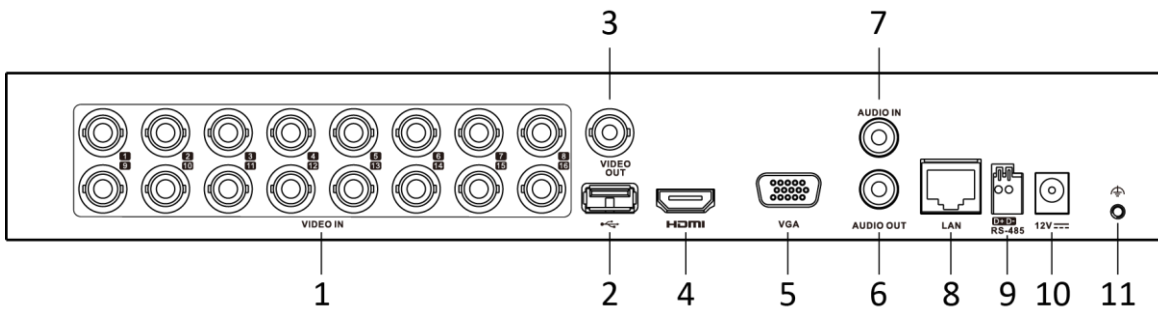
Model	LTD8304M-ET	LTD8308M-ETC
Motion Detection 2.0¹		
Human/Vehicle Analysis	Deep learning-based motion detection 2.0 is enabled by default for all analog channels, it can classify human and vehicle, and extremely reduce false alarms caused by objects like leaves and lights; Quick search by object or event type is supported;	
Perimeter Protection¹		
Human/Vehicle Analysis	Up to 2-ch	Up to 4-ch
Facial Detection¹		
Facial detection and capture	1-ch human face capture (HD analog camera)	
Recording		
Video compression	H.265 Pro+/H.265 Pro/H.265/H.264+/H.264	
Encoding resolution	Main stream: When 1080p lite mode not enabled: For 4 MP stream access: 4 MP lite@15 fps; 1080p lite/720p/WD1/4CIF/VGA/CIF@25 fps (P)/30 fps (N) For 3 MP stream access: 3 MP/1080p/720p/VGA/WD1/4CIF/CIF@15 fps For 1080p stream access: 1080p/720p@15 fps; VGA/WD1/4CIF/CIF@25 fps (P)/30 fps (N) For 720p stream access: 720p/VGA/WD1/4CIF/CIF@25 fps (P)/30 fps (N) When 1080p Lite mode enabled: 4 MP lite/3 MP@15 fps; 1080p lite/720p lite/VGA/WD1/4CIF/CIF@25 fps (P)/30 fps (N)	
	Sub-stream: WD1/4CIF@12 fps; CIF@25 fps (P)/30 fps (N)	
Video bitrate	32 Kbps to 6 Mbps	
Dual stream	Support	
Stream type	Video, Video & Audio	
Audio compression	G.711u	
Audio bitrate	64 Kbps	
Video and Audio		
IP video input²	1-ch (up to 5-ch)	2-ch (up to 10-ch)
	Enhanced IP mode on: 2-ch (up to 6-ch), each up to 4 Mbps	Enhanced IP mode on: 4-ch (up to 12-ch), each up to 4 Mbps
	Up to 6 MP resolution	
	Support H.265+/H.265/H.264+/H.264 IP cameras	
Analog video input	4-ch	8-ch
	BNC interface (1.0 Vp-p, 75 Ω), supporting coaxitron connection	

HDTVI input	4 MP, 3 MP, 1080p30, 1080p@25 fps, 720p@60 fps, 720p@50 fps, 720p@30 fps, 720p@25 fps *: The 3 MP signal input is only available for channel 1 of LTD8304M-ET, for channel 1/2 of LTD8308M-ETC	
AHD input	4 MP, 1080p@25 fps, 1080p@30 fps, 720p@25 fps, 720p@30 fps	
HDCVI input	4 MP, 1080p@25 fps, 1080p@30 fps, 720p@25 fps, 720p@30 fps	
CVBS input	PAL/NTSC	
CVBS output	1-ch, BNC (1.0 Vp-p, 75 Ω), resolution: PAL: 704 × 576, NTSC: 704 × 480	
HDMI/VGA output	1-ch, 1920 × 1080/60Hz, 1280 × 1024/60Hz, 1280 × 720/60Hz, 1024 × 768/60Hz, HDMI/VGA simultaneous output	
Audio input	1-ch, RCA (2.0 Vp-p, 1 KΩ)	
	4-ch via coaxial cable	8-ch via coaxial cable
Audio output	1-ch, RCA (Linear, 1 KΩ)	
Two-way audio	1-ch, RCA (2.0 Vp-p, 1 KΩ) (using the first audio input)	
Synchronous playback	4-ch	8-ch
Network		
Remote connection	32	64
Network protocol	TCP/IP, PPPoE, DHCP, LTS-Connect, DNS, DDNS, NTP, SADP, NFS, iSCSI, UPnP™, HTTPS, ONVIF	
Network interface	1, RJ45 10/100 Mbps self-adaptive Ethernet interface	
Wi-Fi	Connectable to Wi-Fi network by Wi-Fi dongle through USB interface	
Auxiliary interface		
SATA	1 SATA interface, up to 10 TB capacity for each disk	
Serial interface	RS-485 (half-duplex)	
USB interface	Front panel: 1 × USB 2.0; Rear panel: 1 × USB 2.0	
Alarm in/out	N/A	
General		
Power supply	12 VDC, 1.5 A	
Consumption (without HDD)	≤ 18 W	
Working temperature	-10 °C to 55 °C (14 °F to 131 °F)	
Working humidity	10% to 90%	
Dimension (W × D × H)	315 × 242 × 45 mm (12.4 × 9.5 × 1.8 inch)	
Weight (without HDD)	≤ 1.16 kg (2.6 lb)	≤ 1.78 kg (3.9 lb)

Note:

1: Motion detection 2.0, perimeter protection and facial detection cannot be enabled at the same time. Enable one function will make the other two unavailable.

2: Enhanced IP mode might be conflicted with smart events (face picture comparison, motion detection 2.0 and perimeter protection) or other functions, please refer to the user manual for details.



*: The rear panel of LTD8304M-ET provides 4 video input interfaces. The rear panel of iDS-7208HQHI-M1/S provides 8 video input interfaces.

Physical Interface

No.	Description	No.	Description
1	VIDEO IN	7	AUDIO IN, RCA connector
2	USB interface	8	LAN network interface
3	VIDEO OUT	9	RS-485 serial interface
4	HDMI interface	10	12 VDC power input
5	VGA interface	11	GND
6	AUDIO OUT, RCA connector		